

Fig. 1

Patent Application No. 100,000,000

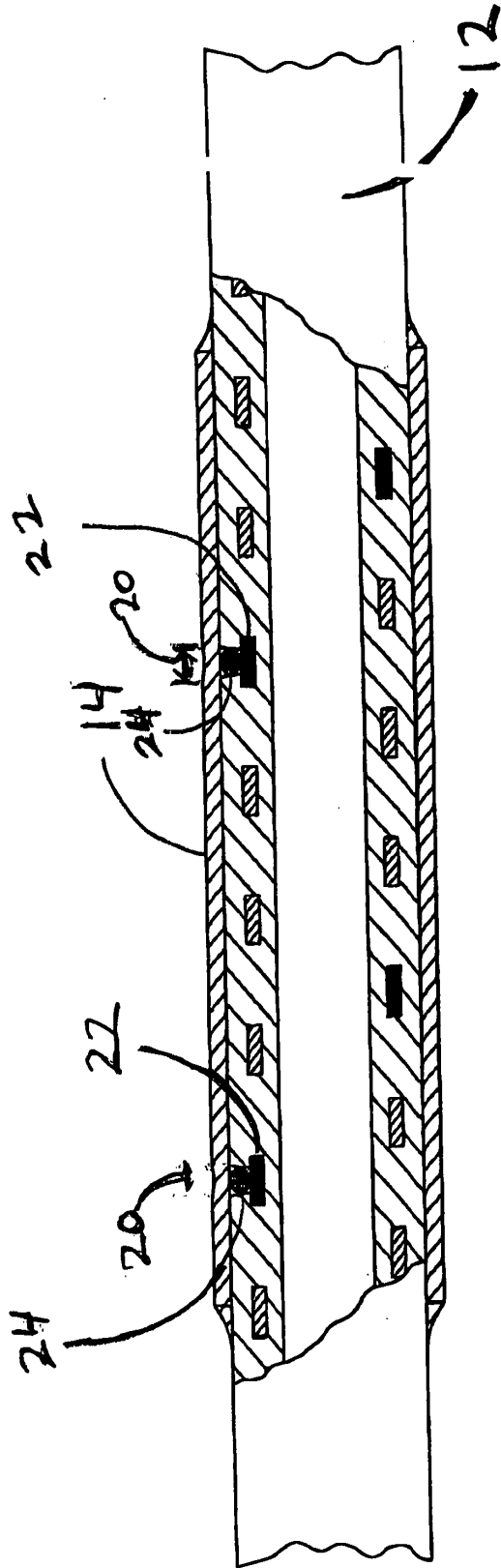


Fig 2

6000 000000

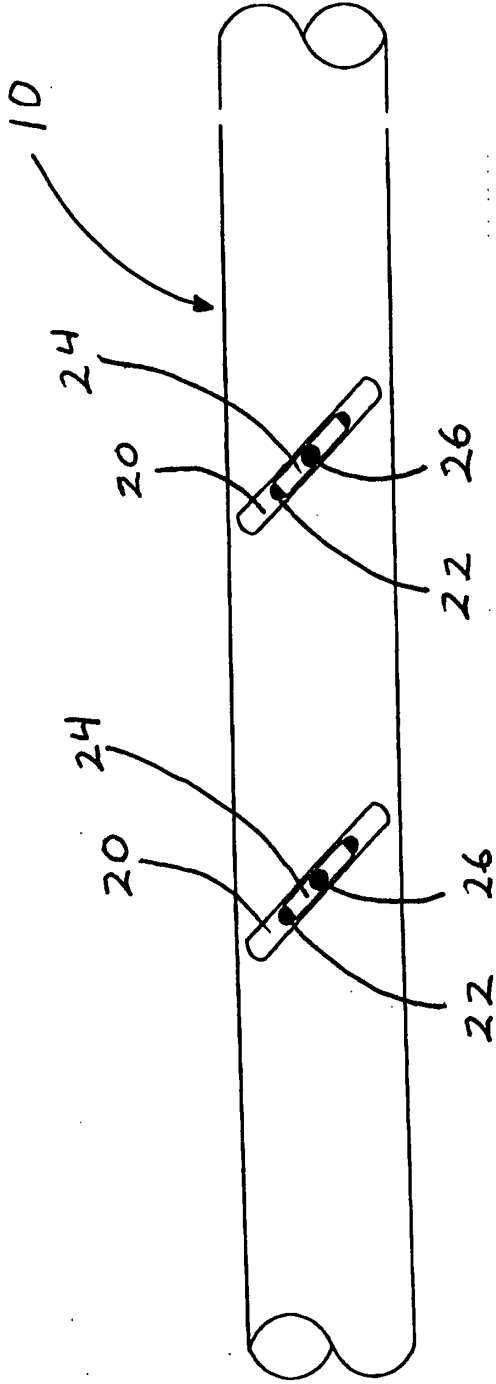


Fig. 3

2025 RELEASE UNDER E.O. 14176

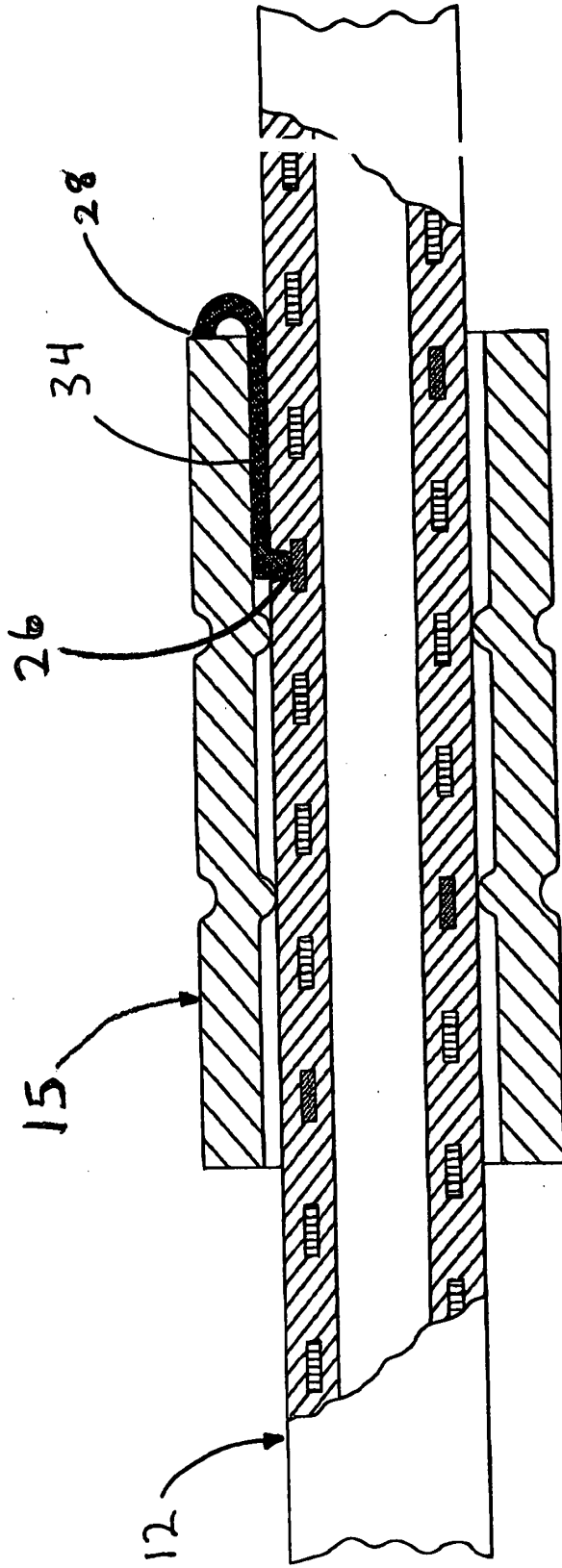


Fig. 4

FIG. 5

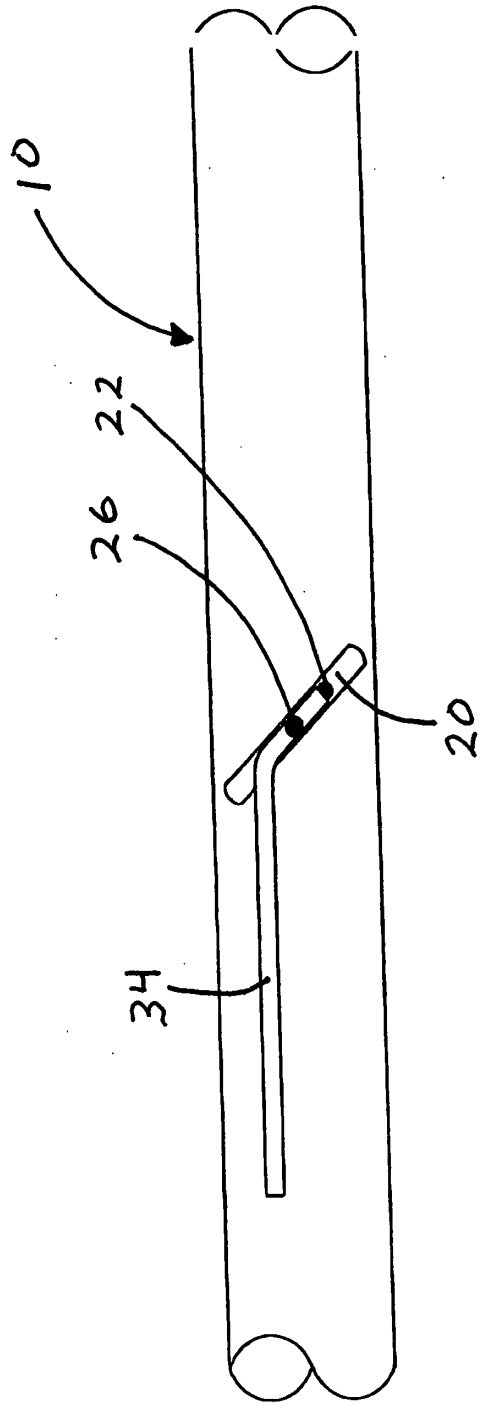


Fig. 5

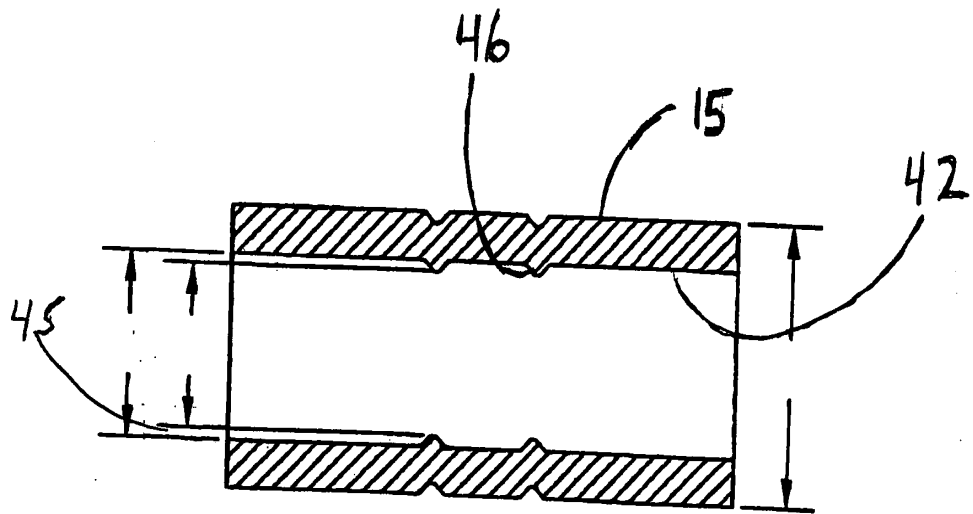


Fig. 6A

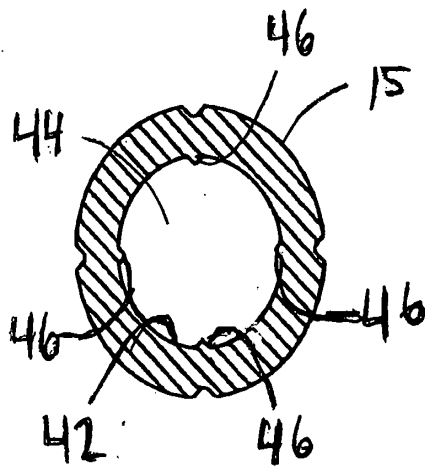


Fig. 6B